


**AGI** 

**AGI  HUTCHINSON**  
**PORTABLE SYSTEMS**



# TOP DRIVE AUGERS

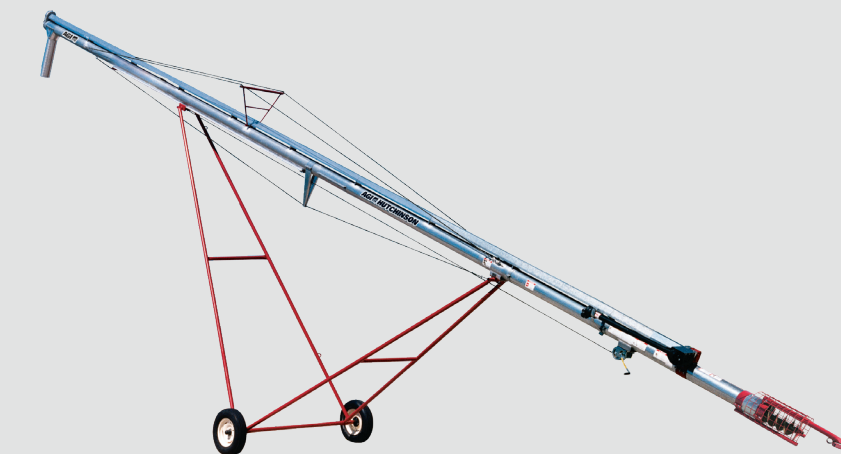
## 8" 10" & 13"

### FEATURES

- Manual, hydraulic and electric winch options
- PTO and electric drive options - includes oil lubricated gear drive on 13"
- Main tube is galvanized
- Heavy-duty aircraft cable with trussing aids in supporting the main auger
- Wide wheel base design and A-frame undercarriage constructed for greater stability
- Intake has extended wear flighting
- Intake guard with hitch (13" only)
- 13" (33.0 cm) x 82' (25.0 m) model has adjustable axle width for transport

### OPTIONAL FEATURES

- Internal bearings
- Pit auger intake (13" only)
- Standard, flex bin or metal folding hoppers



8" & 10"



13"

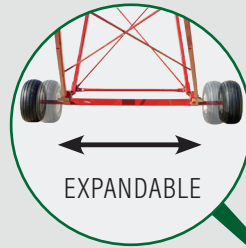
### Top Drive Auger

MODEL	MAXIMUM DISCHARGE	TIRE CENTER TREAD WIDTH	HOUSING	ELECTRIC POWER	CAPACITY
8" (20.3 cm) x 34' (10.4 m)	22' 6" (6.9 m)	5' 11" (1.8 m)	12 ga (2.7 mm) with ¼" (6.35 mm) flighting	5 HP (4.0 kW)	3,200 BPH (86 TPH)
8" (20.3 cm) x 42' (12.8 m)	26' (7.9 m)	6' 6" (2.0 m)		7.5 HP (5.5 kW)	
8" (20.3 cm) x 48' (14.3 m)	32' (9.8 m)	6' 6" (2.0 m)		7.5 HP (5.5 kW)	
8" (20.3 cm) x 52' (15.8 m)	34' (10.4 m)	7' 6" (2.3 m)		10 HP (7.5 kW)	
8" (20.3 cm) x 58' (17.7 m)	36' 6" (11.1 m)	8' 2" (2.5 m)		10 HP (7.5 kW)	
8" (20.3 cm) x 62' (18.9 m)	40' (12.2 m)	8' (2.4 m)		15 HP 11.0 kW)	
8" (20.3 cm) x 66' (20.1 m)	41' (12.5 m)	8' 8" (2.6 m)		15 HP 11.0 kW)	
8" (20.3 cm) x 66' (20.1 m)	43' (13.1 m)	8' 8" (2.6 m)		15 HP 11.0 kW)	
8" (20.3 cm) x 72' (21.6 m)	49' (14.9 m)	8' 8" (2.6 m)		20 HP (15.0 kW)	
10" (25.4 cm) x 32' (9.8 m)	19' 6" (5.9 m)	6' 7" (2.0 m)	12 ga (2.7 mm) with ¼" (6.35 mm) flighting	10 HP (7.5 kW)	4,500 BPH (122 TPH)
10" (25.4 cm) x 36' (11.0 m)	21' 6" (6.6 m)	7' 3" (2.2 m)		15 HP (11.0 kW)	
10" (25.4 cm) x 42' (12.8 m)	26' (7.9 m)	7' 3" (2.2 m)		15 HP (11.0 kW)	
10" (25.4 cm) x 52' (15.8 m)	34' (10.4 m)	8' 2" (2.5 m)		20 HP (15.0 kW)	
10" (25.4 cm) x 58' (17.7 m)	37' (11.3 m)	8' 8" (2.6 m)		20 HP (15.0 kW)	
10" (25.4 cm) x 62' (18.9 m)	41' 6" (12.7 m)	8' 8" (2.6 m)		20 HP (15.0 kW)	
10" (25.4 cm) x 66' (20.1 m)	43' (13.1 m)	8' 8" (2.6 m)		25 HP (18.5 kW)	
10" (25.4 cm) x 72' (21.9 m)	49' (14.9 m)	11' 11" (3.6 m)	25 HP (18.5 kW)		
13" (33.0 cm) x 36' (11.0 m)	23' (7.1 m)	8' 2" (2.5 m)	12 ga (2.7 mm) with ¼" (6.35 mm) flighting	25 HP (18.5 kW)	7,500 BPH (210 TPH)
13" (33.0 cm) x 52' (19.8 m)	32' (9.75 m)	10' (3.05 m)		25 HP (18.5 kW)	
13" (33.0 cm) x 62' (18.9 m)	42' 2" (12.8 m)	12' (3.66 m)		40 HP (30.0 kW)	
13" (33.0 cm) x 65' (19.8 m)	43' 10" (12.4 m)	12' (3.66 m)		40 HP (30.0 kW)	
13" (33.0 cm) x 72' (22.0 m)	47' 6" (14.5 m)	12' (3.66 m)		50 HP (37.0 kW)	
13" (33.0 cm) x 82' (25.0 m)	5' (15.5 m)	12' (3.66 m)		60 HP (45.0 kW)	

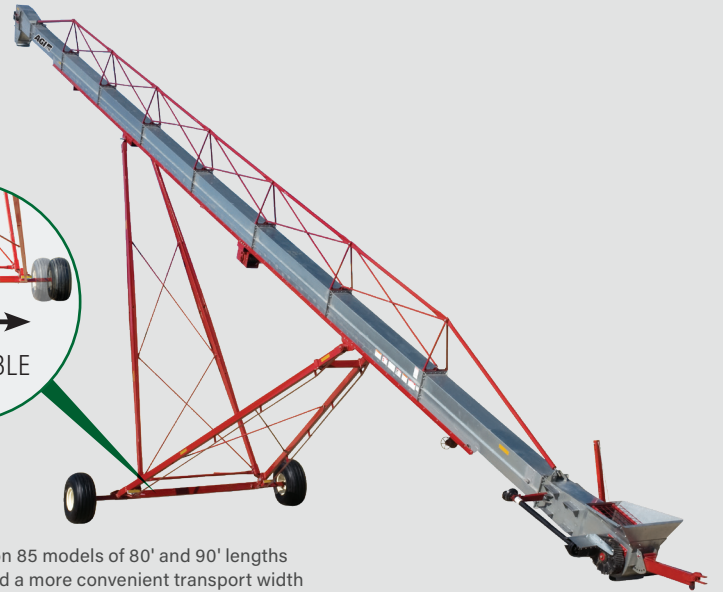
# MASS-TER MOVER

## FEATURES

- Unique ultra high molecular weight (UHMW) paddles designed to keep your grain flowing gently and evenly from inlet to discharge
- PTO and electric drive options
- Hydraulic winch system standard on 85 models 70'+
- Electric winch options available



Expandable axles on 85 models of 80' and 90' lengths provide stability and a more convenient transport width



## Portable Mass-Ter Mover

MODEL	LENGTH	MAXIMUM DISCHARGE	TIRE CENTER TREAD WIDTH	GALVANIZED HOUSING	CONVEYOR CHAIN	CHAIN SPEED	ELECTRIC POWER	CAPACITY
50	40' (12.2 m)	24' 10" (7.6 m)	8' 2" (2.5 m)	10 ga (3.4 mm)	81 XHH	310 FPM (95 mpm)	15 HP (11.0 kW)	5,000 BPH (135 TPH)
50	50' (15.2 m)	34' (10.4 m)	8' 9" (2.7 m)		81 XHH	310 FPM (95 mpm)	15 HP (11.0 kW)	
50	60' (18.3 m)	40' 7" (12.4 m)	8' 9" (2.7 m)		81 XHH	310 FPM (95 mpm)	20 HP (15.0 kW)	
50	65' (19.8 m)	44' 1" (13.4 m)	8' 9" (2.7 m)		81 XHH	310 FPM (95 mpm)	20 HP (15.0 kW)	
50	70' (21.3 m)	43' 1" (13.1 m)	10' 11" (3.3 m)		81 XHH	310 FPM (95 mpm)	20 HP (15.0 kW)	
50	80' (24.4 m)	49' 6" (15.1 m)	11' 11" (3.6 m)		81 XHH	310 FPM (95 mpm)	25 HP (18.5 kW)	
50	90' (27.4 m)	55' 11" (17.0 m)	14' 3" (4.3 m)		81 XHH	310 FPM (95 mpm)	25 HP (18.5 kW)	
50	100' (30.5 m)	62' 4" (19.0 m)	14' 3" (4.3 m)		81 XHH	310 FPM (95 mpm)	25 HP (18.5 kW)	
85	40' (12.2 m)	24' 4" (7.4 m)	9' (2.74 m)	10 ga (3.4 mm)	81 XHH	400 FPM (122 mpm)	20 HP (15.0 kW)	10,000 BPH (270 TPH)
85	65' (19.8 m)	40' 5" (12.3 m)	12' (3.7 m)		81 XHH	400 FPM (122 mpm)	30 HP (22.0 kW)	
85	70' (21.3 m)	43' 8" (13.3 m)	12' (3.7 m)		81 XHH	400 FPM (122 mpm)	40 HP (30.0 kW)	
85	80' (24.4 m)	50' 3" (15.3 m)	11' 8" (3.6 m)		81 XHH	400 FPM (122 mpm)	40 HP (30.0 kW)	
85	90' (27.4 m)	57' 3" (17.5 m)	11' 8" (3.6 m)		81 XHH	400 FPM (122 mpm)	50 HP (37.0 kW)	

# TRAC MASS-TER

## FEATURES

- Combines an incline chain conveyor with a large 16" screw conveyor intake
- Can move like a mounted unit operated from the tractor cab or be totally self-supporting
- Standard abrasion resistant lining
- Hydraulic adjustable or swivel spout available
- Enclosed intake hopper assembly available



## Trac Mass-ter

LENGTH	MAXIMUM DISCHARGE	OVERALL TREAD WIDTH	GALVANIZED HOUSING	CONVEYOR CHAIN	CHAIN SPEED	PTO POWER	CAPACITY
40' (12.2 m)	21' 6" (6.6 m)	13' 4" (4.1 m)	10 ga (3.4 mm) bottom	81 XHH	397 FPM (121 mpm)	90 HP (67 kW)	10,000 BPH (270 TPH)

# PORTABLE GRAIN PUMP®

Inspired by the clean grain elevator on combines, the portable Grain Pump system is low maintenance and hard working. UHMW paddles convey crops to the bin in a gentle manner.

## FEATURES

- Requires less horsepower than air systems
- En masse (grain-moving-grain concept) causes less damage to grain at higher capacities and needs less maintenance than traditional conveying systems
- Threaded rods on each side of head allow for easy chain adjustment
- Hydraulic, electric and hand winches available
- Heavy-duty enclosed gearbox
- Swivel arc kit available to increase maneuverability in tight spaces

## ALSO OFFERED AS A SWINGAWAY

- Easy to use controls
- PTO driven hydraulic belt swingaway
- Heavy-duty winch system



## Portable Grain Pump

MODEL	MAXIMUM DISCHARGE	OVERALL TREAD WIDTH	GALVANIZED HOUSING	CONVEYOR CHAIN	ELECTRIC POWER	CAPACITY
8" x 42' (20.3 cm x 12.8 m)	24' 2" (7.4 m)	9' 6" (2.9 m)	12 ga (2.7mm)	81 X	10 HP (7.5 kW)	4,000 BPH (108 TPH)
8" x 52' (20.3 cm x 15.9 m)	31' 7" (9.6 m)	9' 6" (2.9 m)			15 HP (11 kW)	
8" x 62' (20.3 cm x 18.9 m)	38' (11.6 m)	11' (3.35 m)			15 HP (11 kW)	
8" x 72' (20.3 cm x 22.0 m)	44' 3" (13.5 m)	13' (3.96 m)			20 HP (15 kW)	
8" x 82' (20.3 cm x 25.0 m)	50' (15.2 m)	10' (3.0 m)			20 HP (15 kW)	
10" x 42' (20.3 cm x 12.8 m)	25' 5" (7.8 m)	11' (3.35 m)	12 ga (2.7mm)	81 XHH	15 HP (11 kW)	6,000 BPH (162 TPH)
10" x 52' (20.3 cm x 15.9 m)	32' 10" (10.0 m)	11' (3.35 m)			20 HP (15 kW)	
10" x 62' (20.3 cm x 18.9 m)	39' 4" (12.0 m)	11' (3.35 m)			25 HP (18.5 kW)	
10" x 72' (20.3 cm x 22.0 m)	45' 8" (13.9 m)	13' (3.96 m)			25 HP (18.5 kW)	
10" x 82' (20.3 cm x 25.0 m)	50' 9" (15.5 m)	10' (3.0 m)			30 HP (22 kW)	
12" x 42' (20.3 cm x 12.8 m)	25' 5" (7.8 m)	11' (3.35 m)	10 ga (3.4 mm)	81 XHH	60 - 75 HP (44.7 - 55.9 kW)	10,000 BPH (255 TPH)
12" x 52' (20.3 cm x 15.9 m)	30' 10" (10.0 m)	11' (3.35 m)			80 HP (60 kW)	
12" x 62' (30.5 cm x 15.9 m)	39' 4" (12.0 m)	11' (3.35 m)			80 HP (60 kW)	
12" x 72' (30.5 cm x 18.9 m)	38' 8" (11.79 m)	12' (3.7 m)			100 HP (75 kW)	
12" x 82' (30.5 cm x 22 m)	42' 11" (11.79 m)	12' (3.7 m)			100 HP (75 kW)	
12" x 92' (30.5 cm x 25 m)	51' 9" (15.7 m)	12' 10" (3.9 m)				
12" x 130' (20.3 cm x 39.6 m)	55' 1" (16.79 m)	12' 10" (3.9 m)				



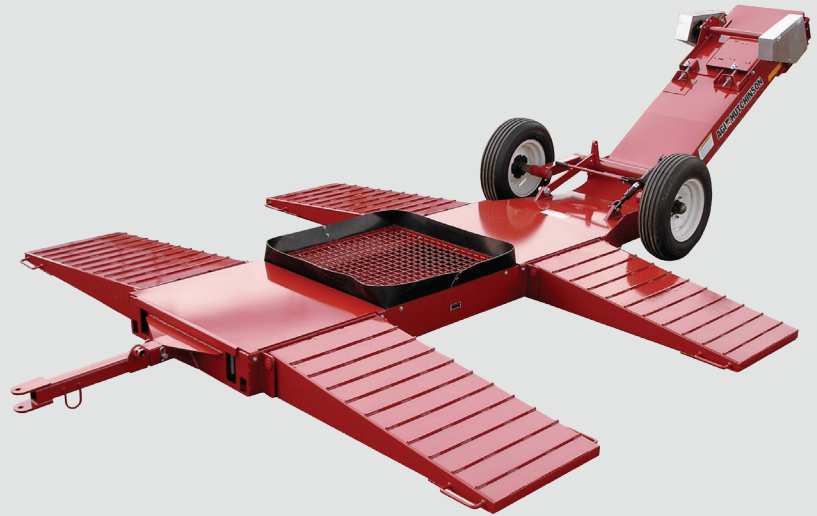
### Portable Grain Pump Swingaway

MODEL	MAXIMUM DISCHARGE	OVERALL TREAD WIDTH	GALVANIZED HOUSING	CONVEYOR CHAIN	CAPACITY
10" x 42' (20.3 cm x 12.8 m)	25' 5" (7.8 m)	11' (3.35 m)	12 ga (2.7 mm)	81 XHH	6,000 BPH (162 TPH)
10" x 52' (20.3 cm x 15.9 m)	32' 10" (10.0 m)	11' (3.35 m)			
10" x 62' (20.3 cm x 18.9 m)	39' 4" (12.0 m)	11' (3.35 m)			
10" x 72' (20.3 cm x 22.0 m)	45' 8" (13.9 m)	13' (3.96 m)			
10" x 82' (20.3 cm x 25.0 m)	50' 9" (15.5 m)	10' (3.0 m)			

# STANDARD DRIVE-OVER CHAIN CONVEYOR

## FEATURES

- Low profile 8 3/4" (22.2 cm) unit makes operation of driving over and unloading an effortless task
- Long spring loaded ramps standard
- Electric and hydraulic drive options
- Removable hitch allows for easy transportation
- Reinforced ramps fold for narrow transport width
- Optional side unload kit
- Stationary version available



### Drive-over Chain Conveyor

DISCHARGE HEIGHT	OVERALL TREAD WIDTH	HOPPER BOTTOM	CONVEYOR CHAIN	CHAIN SPEED	ELECTRIC POWER	CAPACITY
3' 1" (0.9 m)	5' 1" (1.6 m)	7 ga (4.5 mm)	CA550	385 FPM (117 mpm)	10 HP (7.5 kW)	3,500 - 8,000 BPH (94 - 216 TPH)

# COMMERCIAL DRIVE-OVER CHAIN CONVEYOR

## FEATURES

- Up to 10,000 BPH capacity
- Electric drive
- Removable drive-over covers create a full width receiving hopper
- Hydraulic axle and folding ramps for quick setup and transportation
- 3/8" thick UHMW paddles and 7 ga housing
- Abrasion resistant divider panel
- Integrated grating 3' 6 3/4" x 3' 8" with full-width grating available
- Stationary version available - includes fewer ramps and axles



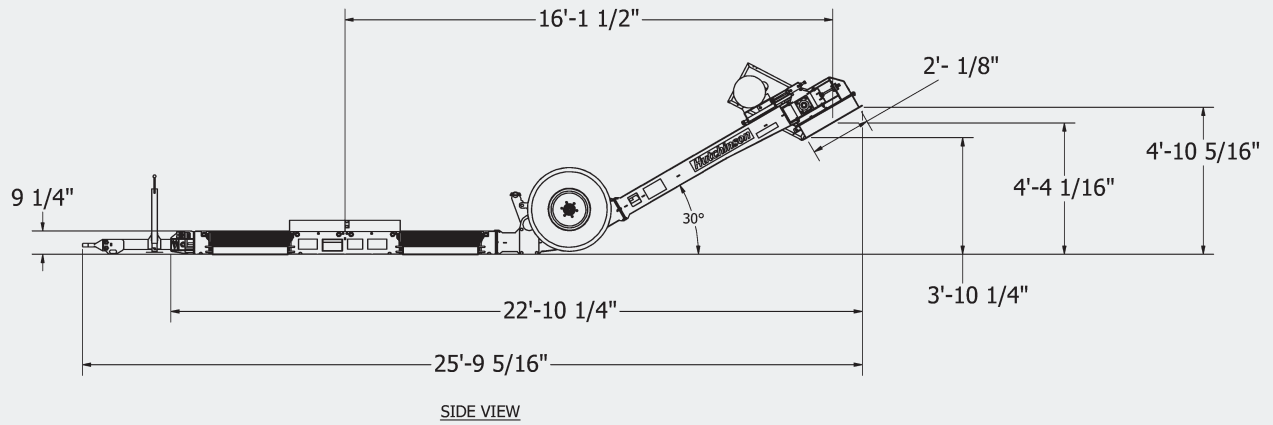
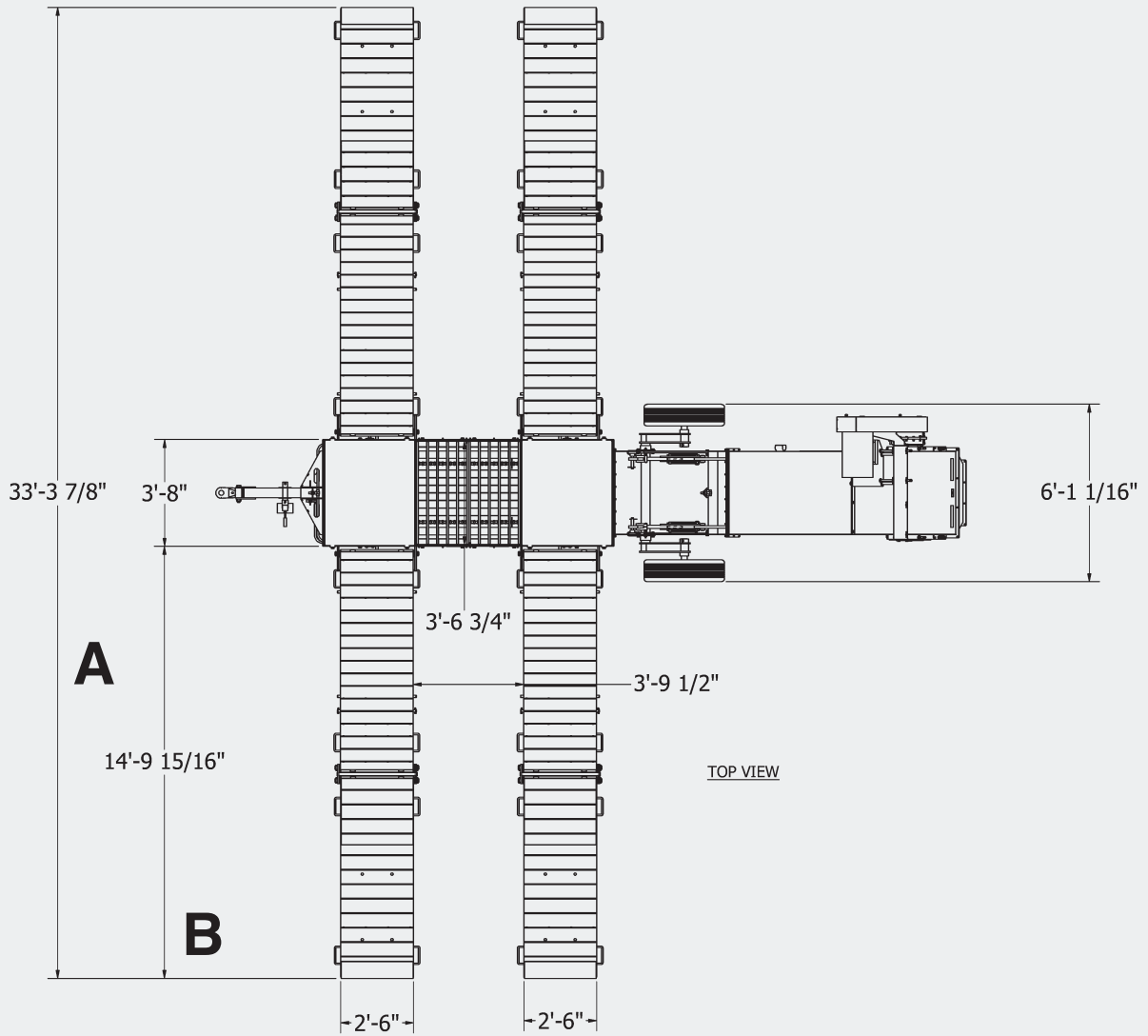
See dimensions on next page

### Commercial Drive-over Chain Conveyor

CATALOG NO.	A	B
CDC10002E8	17' 9 1/8"	7' 5/8"
CDC10002E8-XR*	23'	9' 8"
CDC10002E8-XFR*	33' 3 7/8"	14' 9 15/16"

\*Ramp extensions available

COMMERCIAL DRIVE-OVER





AGI is a global leader in supplying farm and commercial customers with the manufacturing, planning, and engineering of full equipment solutions for grain, seed, fertilizer, feed, and food. AGI's expertise enables the storage, blending, mixing, conveying, conditioning, processing, and protection of agricultural products and inputs worldwide.

**Your safety is our highest priority.**

Please read and understand the operator's manual and safety decals before using. Use and maintain products properly, and do not modify. Keep guards in place when operating and follow all product manuals and safety decals. For all AGI products, if guards, safety decals, or manuals are damaged or missing, contact your AGI sales or dealer representative for replacements. Images and information contained in this brochure are presented for general information.

Grain Pump, AGI, and the furrows symbol are trademarks belonging to Ag Growth International Inc.

198 Commerce Drive, Winnipeg, Manitoba, Canada R3P 0Z6

P 855.432.1990 | [aggrowth.com/hutchinson](http://aggrowth.com/hutchinson)

     @aggrowthintl

**AGGROWTH.COM**