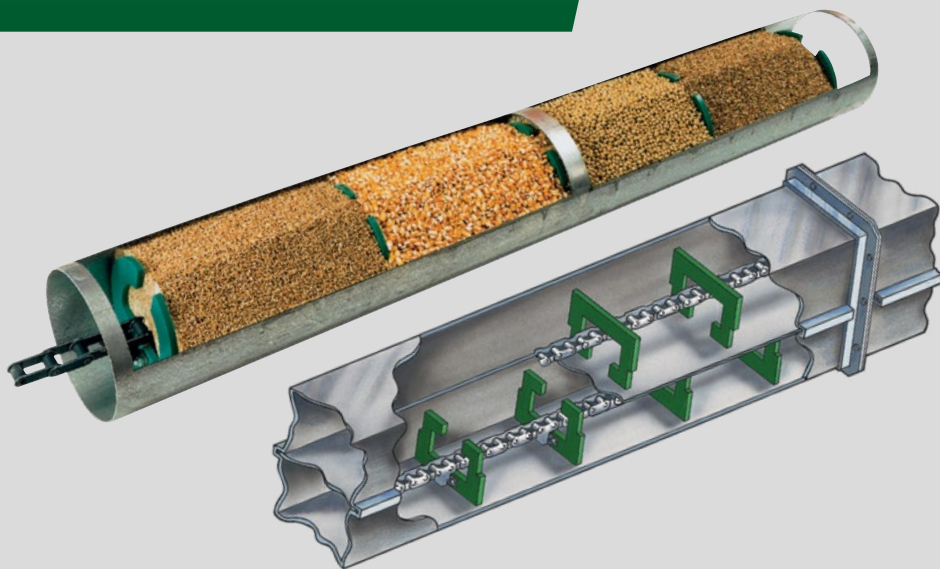




AGI  HUTCHINSON

CHAIN & PADDLE CONVEYORS

*GRAIN PUMP® / COMMERCIAL GRAIN PUMP® / DOUBLE RUN /
MASS-TER MOVER / DUAL HOPPER CHAIN CONVEYORS*





Quality Equipment on Your Farm

AGI Hutchinson manufactures quality products, including; portable and stationary grain handling equipment, augers, chain & paddle conveyors, belt conveyors, loop systems, bin unloads and custom augers.



Grain Pump®

Custom Grain Pump® systems tailored to your storage system

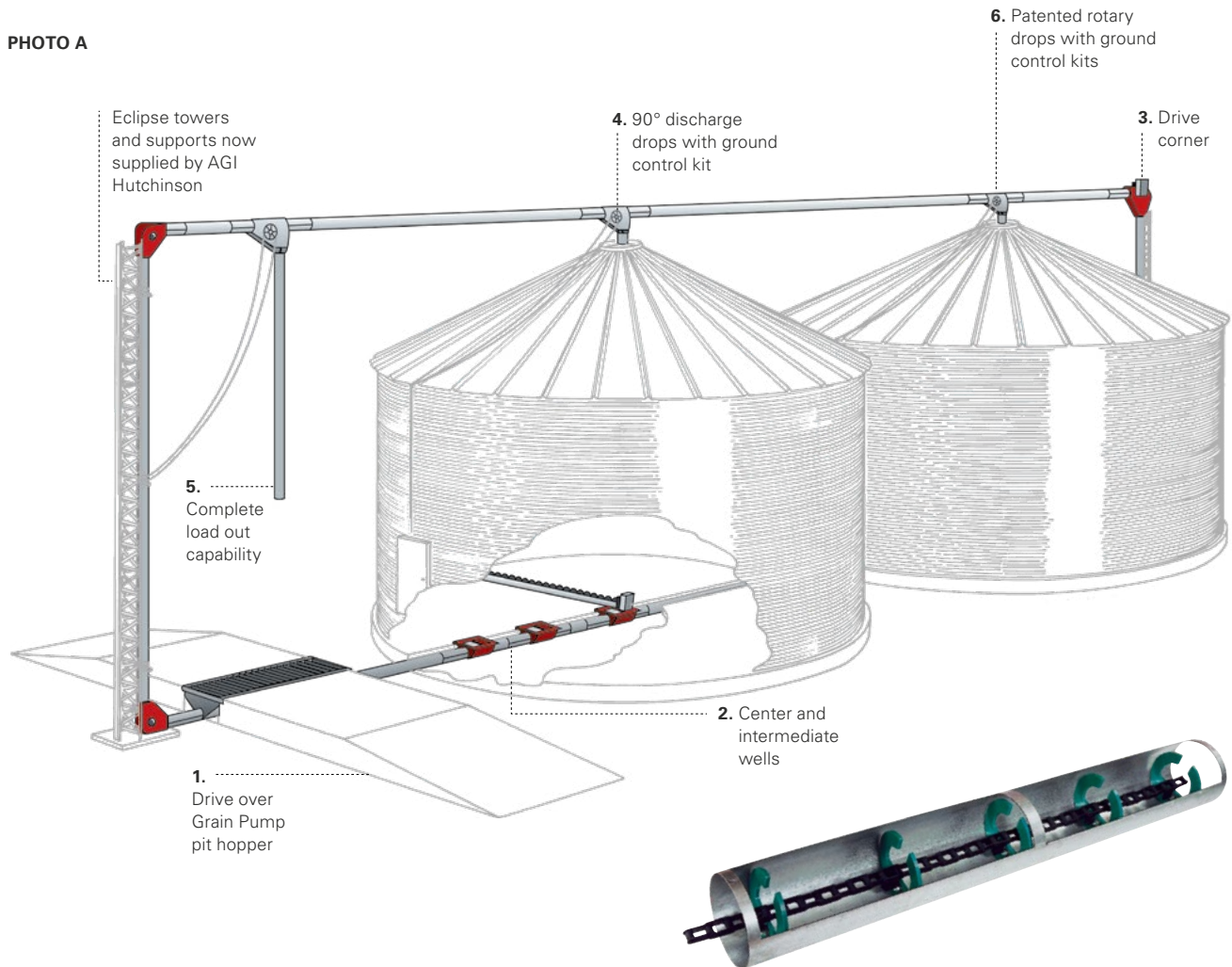
AGI Hutchinson's innovative Grain Pump® lets you move grain with gentle efficiency, at high capacities and requires less horsepower than air systems. AGI Hutchinson's En-masse (grain-moving-grain) concept causes less damage to grain and needs less maintenance than traditional conveying systems. The secret is AGI Hutchinson's unique Ultra High Molecular Weight (UHMW) paddle, designed to keep your grain flowing gently and evenly from inlet to discharge

source. These round plastic paddles are spaced every 10 ½", taking the place of traditional auger flighting. These paddles are notched to go around corners. Grain Pump owners have found a reduction in grain damage when compared to conventional conveying systems.

The closed-loop design offers the versatility to create a complete load-in/load-out system that provides recirculation capabilities. One or more

bins can be unloaded at a time into the loop. Reduced drying costs can be achieved with this innovative system by blending higher moisture and dried grain from one bin to another. Possibilities are nearly unlimited. Install the Grain Pump underneath a row of bins (Photo A), in an existing in-line row of bins (Photo B), or a flat storage structure (Photo C). The loop system may provide future expansion capabilities.

PHOTO A



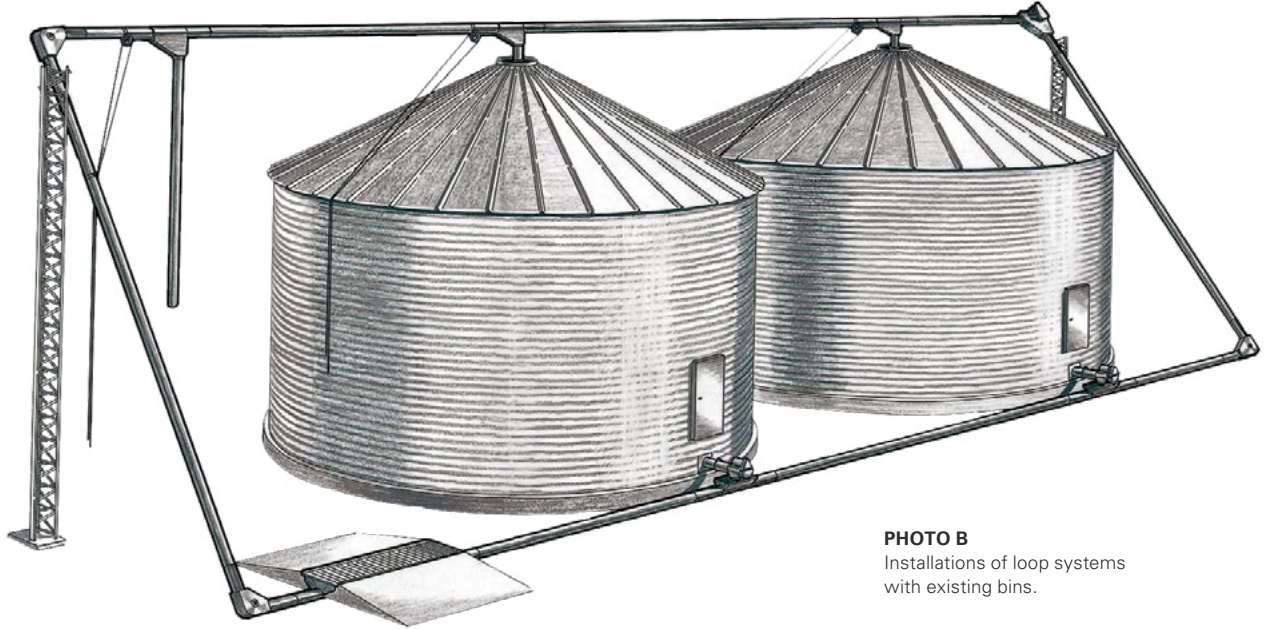


PHOTO B
Installations of loop systems
with existing bins.

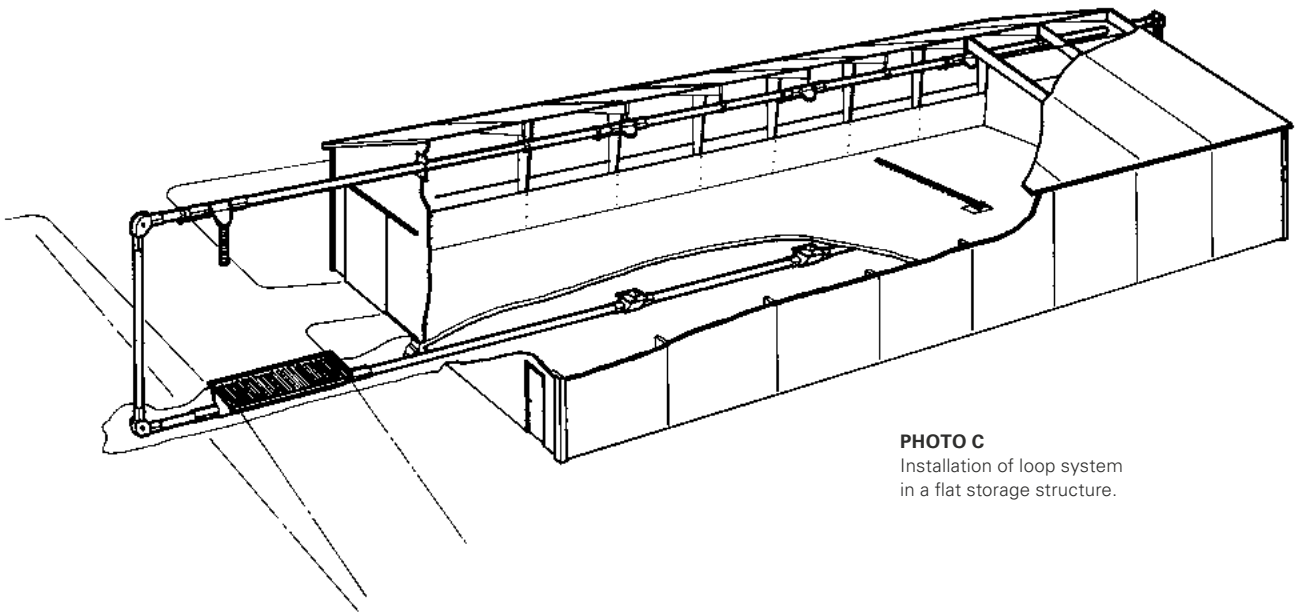


PHOTO C
Installation of loop system
in a flat storage structure.

Grain Pump



Installation of Grain Pump loop system into existing bin structure.



Installation of Grain Pump loop System with a wet bin and dryer application.

GRAIN PUMP SPECIFICATIONS

	6" LOOP	8" LOOP	10" LOOP	12" LOOP
DIMENSIONS OF CONVEYING CHAMBER	6" (15.2 CM)	8" (20.3 CM)	10" (25.4 CM)	12" (30.5 CM)
MAXIMUM CAPACITY*	1,500 (41)	4,000 BPH (108 TPH)	6,000 BPH (162 TPH)	10,000 BPH (270 TPH)
CHAIN TRAVEL	325 FPM (99.1 MPM)	325 FPM (99.1 MPM)	325 FPM (99.1 MPM)	400 FPM (121.9 MPM)
HEAD SHAFT RPM	124	109	94	83
HOUSING GAUGE, GALVANIZED	12 GA (2.7 MM)	12 GA (2.7 MM)	12 GA (2.7 MM)	10 GA (3.4 MM)
PADDLE THICKNESS	3/8" (9.5 MM)	1/2" (12.7mm)	1/2" (12.7 MM)	1/2" (12.7 MM)
CORNER SHAFT DIAMETER	1 - 1/2" (38.1 MM)	2" (50.8 MM)	3" (76.2 MM)	3 - 7/16" (87.3 MM)
CONVEYOR CHAIN	81 X	81 XHH	81 XHH	81 XHH
CONVEYOR SPROCKET	12 Tooth	14 Tooth	16 Tooth	22 Tooth
CONVEYOR HP (KW) REQUIRED* PER FOOT (METER) VERTICAL	.20 HP (.48 kW)	.35 HP (.85 kW)	.50 HP (1.20 kW)	.75 HP (1.80 kW)
CONVEYOR HP (KW) REQUIRED* PER FOOT (METER) HORIZONTAL	.05 HP (.12 kW)	.08 HP (.19 kW)	.11 HP (.27 kW)	.18 HP (.44 kW)
WEIGHT PER FOOT OF TUBULAR CONVEYOR - EMPTY	10.5 LBS/FT	18.0 LBS/FT	20.0 LBS/FT	26.5 LBS/FT
WEIGHT PER FOOT OF TUBULAR CONVEYOR - FULL OF 56 LB. PER BU MATERIAL	19.5 LBS/FT	34.0 LBS/FT	45.0 LBS/FT	63.0 LBS/FT
WEIGHT PER METER OF TUBULAR CONVEYOR - EMPTY	14.9 KG/M	17.9 KG/M	22.0 KG/M	35.7 KG/M
WEIGHT PER METER OF TUBULAR CONVEYOR - FULL OF 56 LB. PER BU MATERIAL	28.3 KG/M	41.7 KG/M	59.5 KG/M	89.3 KG/M

* Clean, dry, and non abrasive grain

Commercial Grain Pump



The AGI Hutchinson Grain Pump is designed for new or existing storage installations.



Installation of Commercial Grain Pump loop system into flat storage structure.

GRAIN PUMP SPECIFICATIONS

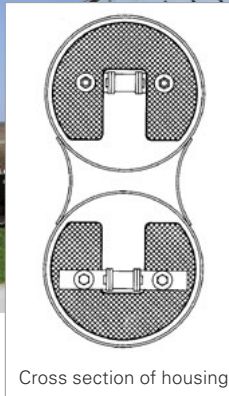
	10" LOOP	12" LOOP	16" LOOP
DIMENSIONS OF CONVEYING CHAMBER	10" (25.4 CM)	12" (30.5 CM)	16" (40.6 CM)
MAXIMUM CAPACITY*	6,000 BPH (162 TPH)	10,000 BPH (270 TPH)	18,000 BPH (486 TPH)
CHAIN TRAVEL	325 FPM (99.1 MPM)	400 FPM (121.9 MPM)	400 FPM (121.9 MPM)
HEAD SHAFT RPM	67	83	63
HOUSING GAUGE, GALVANIZED	10 GA (3.4 MM)	10 GA (3.4 MM)	7 GA (4.5 MM)
PADDLE THICKNESS (UHMW)	½" (12.7 MM)	½" (12.7 MM)	⅝" (15.9 MM)
CORNER SHAFT DIAMETER	3 - 7/16" (87.3 MM)	3 - 7/16" (87.3 MM) - thru 60 HP 3 - 15/16" (100.0 MM) - 75 & 100 HP	Variable
CONVEYOR CHAIN	81 XHH	81 XHH - thru 60 HP Double 81 XHH 75 & 100 HP	WH 124
CONVEYOR SPROCKET	16 Tooth (Non-Drive Corners) 22 Tooth (Drive Corners)	22 Tooth	19 Tooth
CONVEYOR HP (KW) REQUIRED* PER FOOT (METER) VERTICAL	.50 HP (1.20 kW)	.75 HP (1.80 kW)	1.35 HP (3.30 kW)
CONVEYOR HP (KW) REQUIRED* PER FOOT (METER) HORIZONTAL	.11 HP (.27 kW)	.18 HP (.44 kW)	.30 HP (.73 kW)
WEIGHT PER FOOT OF TUBULAR CONVEYOR - EMPTY	23.0 LBS/FT	26.5 LBS/FT - Single Chain 31.0 LBS/FT - Double Chain	46.0 LBS/FT
WEIGHT PER FOOT OF TUBULAR CONVEYOR - FULL OF 56 LB. PER BU MATERIAL	48.0 LBS/FT	63.0 LBS/FT - Single Chain 67.5 LBS/FT - Double Chain	133.0 LBS/FT
WEIGHT PER METER OF TUBULAR CONVEYOR - EMPTY	34.2 KG/M	39.4 KG/M - Single Chain 46.1 KG/M - Double Chain	68.4 KG/M
WEIGHT PER METER OF TUBULAR CONVEYOR - FULL OF 56 LB. PER BU MATERIAL	71.4 KG/M	93.7 KG/M - Single Chain 100.4 KG/M - Double Chain	198.0 KG/M

* Clean, dry, and non abrasive grain

Stationary Double Run



Stationary double run can be used in various applications at angles from horizontal to 60°. Lengths available in 5' increments. A flow through inlet is convenient for overhead applications.



Stationary Double Run filling a dryer and unloading dryer to multiple bins.

STATIONARY DOUBLE RUN | DOUBLE RUN SYSTEM SPECIFICATIONS

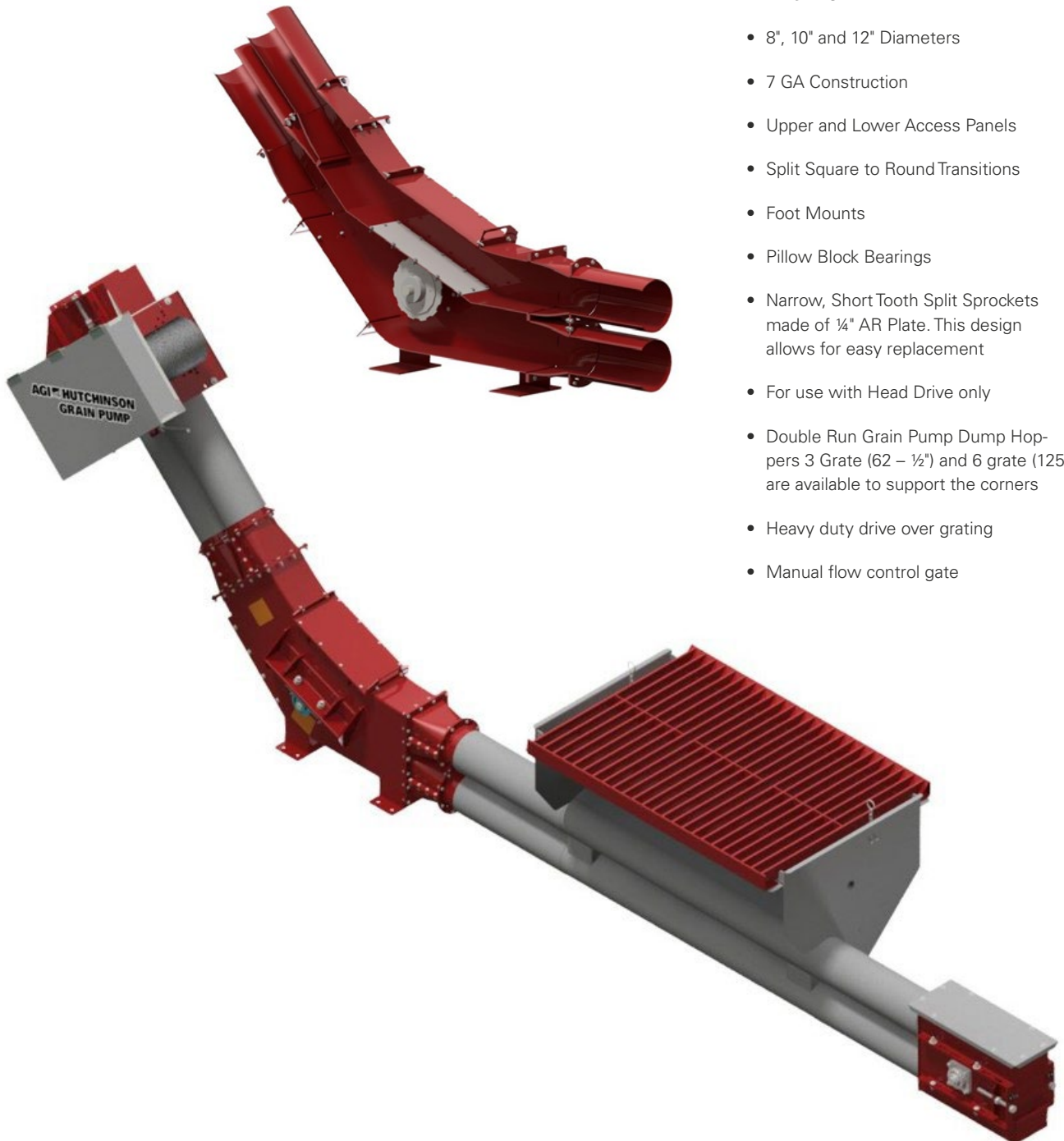
	6" DOUBLE RUN	8" DOUBLE RUN	10" DOUBLE RUN	12" DOUBLE RUN
DIMENSIONS OF CONVEYING CHAMBER	6" (15.2 CM)	8" (20.3 CM)	10" (25.4 CM)	12" (30.5 CM)
MAXIMUM CAPACITY*	1,500 BPH (41 TPH)	4,000 BPH (108 TPH)	6,000 BPH (162 TPH)	10,000 BPH (270 TPH)
CHAIN TRAVEL	338 FPM (103.0 MPM)	329 FPM (11.3 MPM)	348 FPM (106.1 MPM)	400 FPM (121.9 MPM)
HEAD SHAFT RPM	126	126	114	102
GALVANIZED HOUSING	12 Ga. (2.7 MM)	12 Ga. (2.7 MM)	12 Ga. (2.7 MM)	10 Ga. (3.4 MM)
PADDLE THICKNESS (UHMW)	3/8" (9.5 MM)	1/2" (12.7mm)	1/2" (12.7 MM)	1/2" (12.7 MM)
HEAD SHAFT DIAMETER	1 - 1/2" (38.1 MM)	2" (50.8 MM)	2" (50.8 MM)	3 - 7/16" (87.3 MM)
BOOT SHAFT DIAMETER	1 - 1/2" (38.1 MM)	2" (50.8 MM)	2" (50.8 MM)	3 - 7/16" (87.3 MM)
CONVEYOR CHAIN	81 X	81 X	81 XHH	81 XHH
CONVEYOR SPROCKET	12 Tooth	12 Tooth	14 Tooth	18 Tooth

DOUBLE RUN SYSTEM | HORSEPOWER TABLE

		ANGLE OF OPERATION	HORIZONTAL	15	30	45	60	90
6" DOUBLE RUN	HP per Foot (kW/M)		0.042	0.062	0.085	0.120	0.140	N/A
			0.102	0.151	0.207	0.292	0.341	
8" DOUBLE RUN	HP per Foot (kW/M)		0.076	0.113	0.167	0.222	0.270	0.35
			0.185	0.275	0.407	0.541	.658	0.75
10" DOUBLE RUN	HP per Foot (kW/M)		0.114	0.170	0.250	0.333	0.405	0.5
			0.278	0.414	0.610	0.812	0.988	1.2
12" DOUBLE RUN	HP per Foot (kW/M)		0.180	0.268	0.397	0.524	0.629	N/A
			0.439	0.654	0.968	1.278	1.534	

Double Run Grain Pump Corners

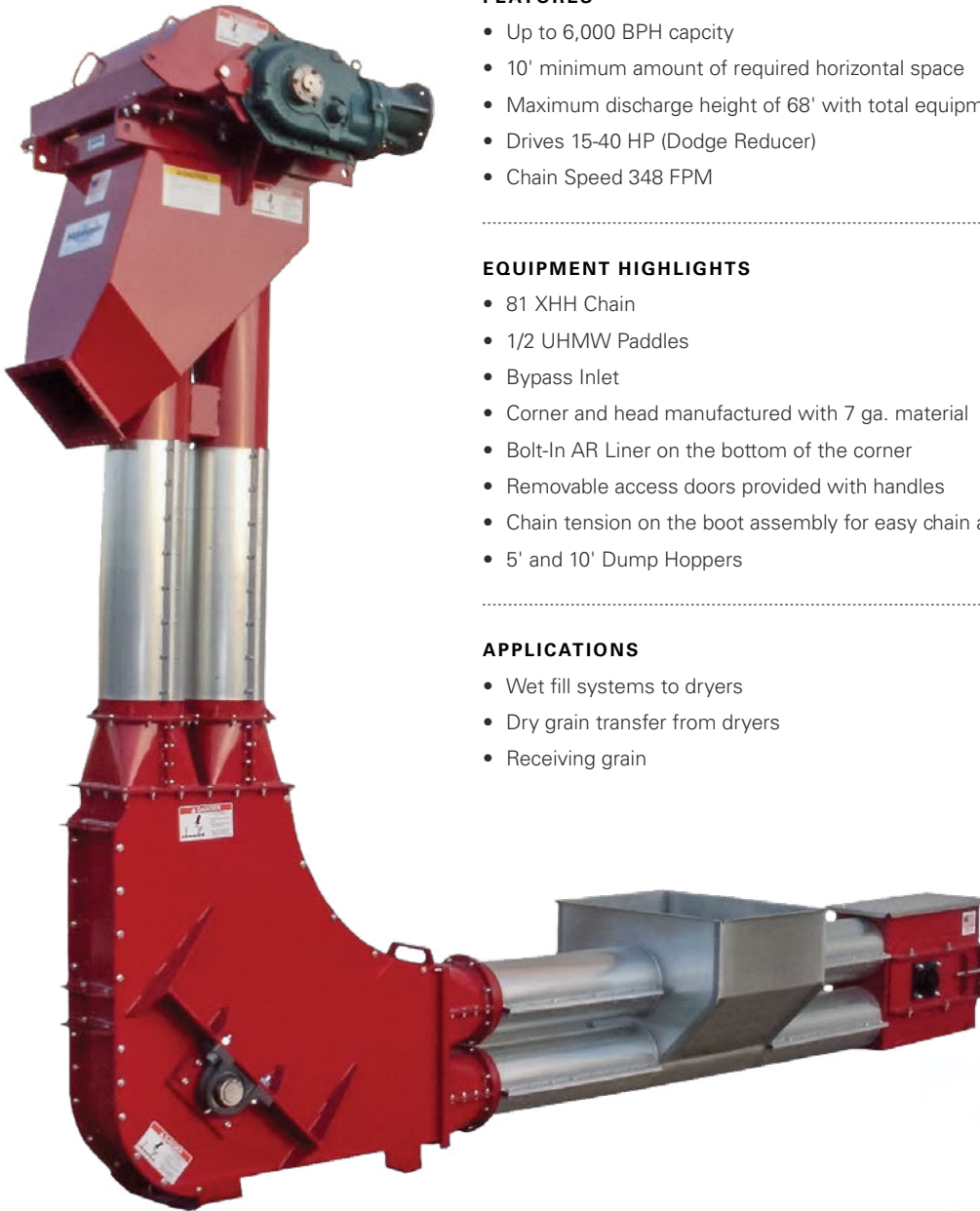
AGI Hutchinson is proud to introduce 30- and 45-degree corners to the double run grain pump product line. The new corner options will continue to increase your flexibility and applications use for the double run grain pump. We kept maintenance and clean-out simple by using a split sprocket and multiple removable panels for quick and easy access.



FEATURES

- 8", 10" and 12" Diameters
- 7 GA Construction
- Upper and Lower Access Panels
- Split Square to Round Transitions
- Foot Mounts
- Pillow Block Bearings
- Narrow, Short Tooth Split Sprockets made of ¼" AR Plate. This design allows for easy replacement
- For use with Head Drive only
- Double Run Grain Pump Dump Hoppers 3 Grate (62 – ½") and 6 grate (125") are available to support the corners
- Heavy duty drive over grating
- Manual flow control gate

10" Vertical Double Run Grain Pump



FEATURES

- Up to 6,000 BPH capacity
- 10' minimum amount of required horizontal space
- Maximum discharge height of 68' with total equipment height of 72'
- Drives 15-40 HP (Dodge Reducer)
- Chain Speed 348 FPM

EQUIPMENT HIGHLIGHTS

- 81 XHH Chain
- 1/2 UHMW Paddles
- Bypass Inlet
- Corner and head manufactured with 7 ga. material
- Bolt-In AR Liner on the bottom of the corner
- Removable access doors provided with handles
- Chain tension on the boot assembly for easy chain adjustment
- 5' and 10' Dump Hoppers

APPLICATIONS

- Wet fill systems to dryers
- Dry grain transfer from dryers
- Receiving grain



10" VERTICAL DOUBLE RUN GRAIN PUMP SPECIFICATIONS

MODEL	MAX DISCHARGE HEIGHT	DRIVES	CHAIN SPEED
10" DOUBLE RUN	68' (20.73 M)	15 - 40 HP	348 FPM

Mass-Ter Mover

Mass-Ter Mover features a unique chain and paddle design

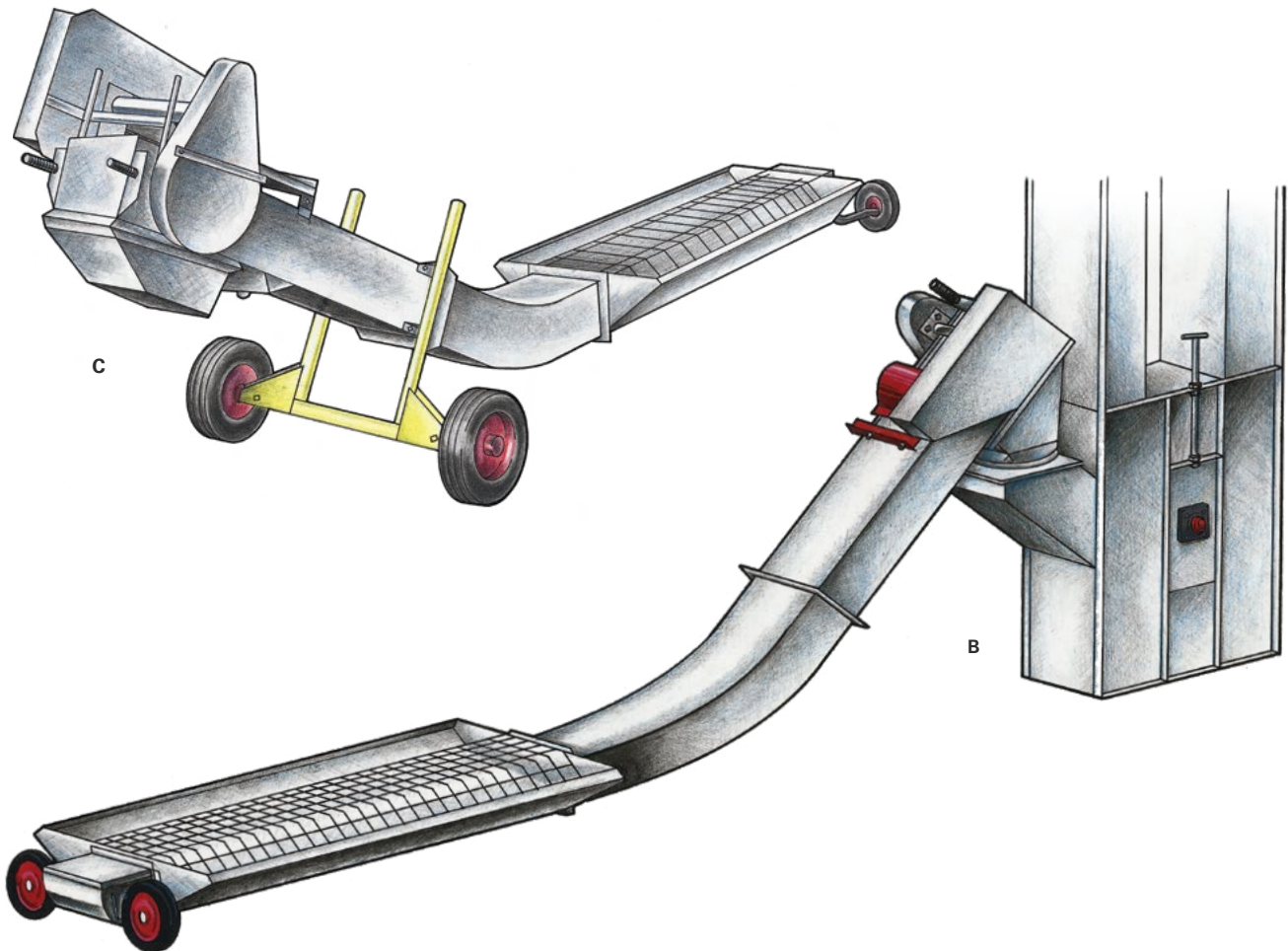
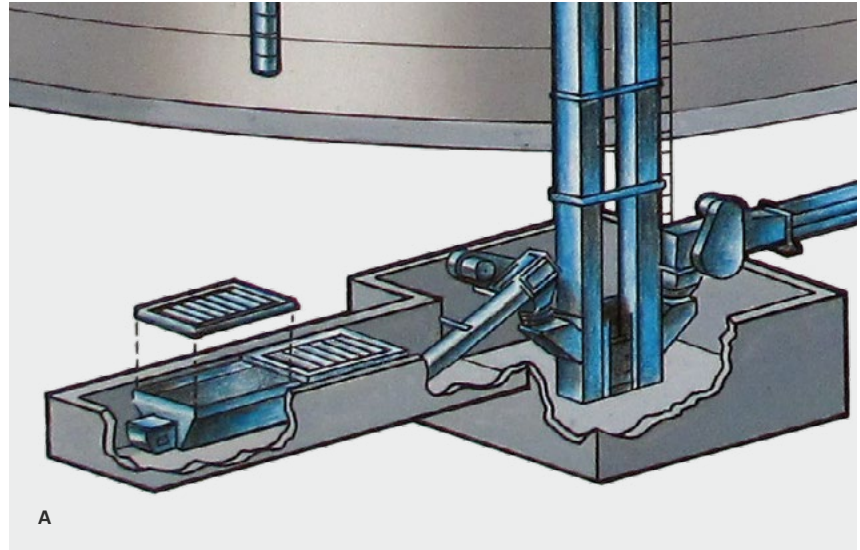
The heart of the AGI Hutchinson Mass-Ter Mover is a continuous chain and paddle combination that utilizes the “en masse” concept. The unique shape of tough Ultra High Molecular Weight (UHMW) paddles maintains full chamber movement of grain - without fall-back. The open centers of the paddles provide relief. The square paddle propulsion system requires less horsepower than a screw conveyor (up to 30% energy savings can be gained)! Whether you’re starting from the ground up, or updating your present facilities, you’ll find the Mass-Ter Mover ready to meet your demands.



Mass-Ter Mover

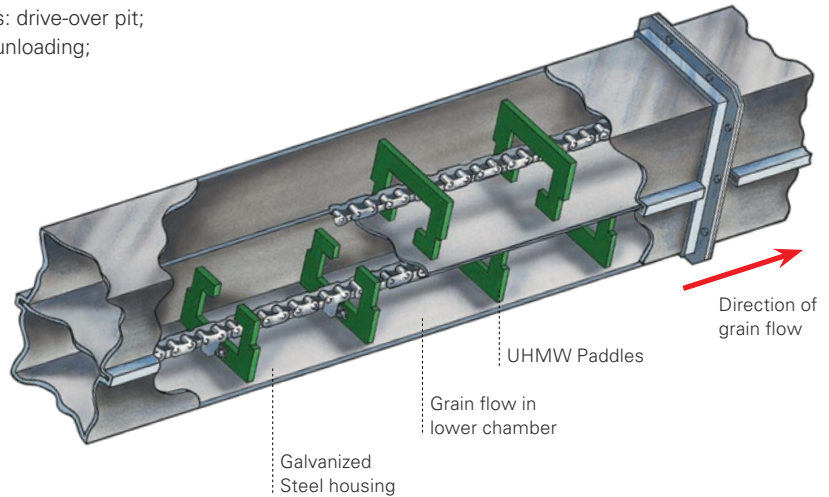
Accessories that make AGI Hutchinson the MASS-TER of material moving systems

Mass-Ter Mover accessories provide a complete loading and unloading system for storage structures. Bin unloading units typically incorporate multiple inlets with slide gates and sweep pivots where needed. The choices of drives and elbow combinations are available on the Mass-Ter Mover. Drive-over pit hopper (photo A) with 30°, 45° or 90° incline sections for a dump-and-go operation without a costly holding pit. Swing-away hopper (photo B) and portable hopper (photo C) allow you to custom design your handling system.



FEATURES

- Mass-Ter Mover powerheads may be used horizontally or in conjunction with the corners for inclined or vertical discharge. (15°, 30°, 45° and 90° elbows available in select models)
- "square paddle" propulsion system requires less horsepower than a screw conveyor. (Up to 30% energy savings)
- Capacities from 2,500 (68 TPH) to 15,000 BPH (473 TPH). Single horizontal lengths to 200'
- Component system adapts to a variety of uses: drive-over pit; horizontal or inclined storage loading; bottom unloading; filling or unloading from dryer
- Grain slides through a full lower chamber with no pinch points to damage material
- The unique paddle design allows the Mass-Ter Mover to operate at various inclines
- AR Liner Optional



MASS-TER MOVER® SPECIFICATIONS

	MODEL 50	MODEL 85	MODEL 150
DIMENSIONS OF CONVEYING CHAMBER	6" x 9" (15.2 CM x 22.9 CM)	7" x 13" (17.8 CM x 33.0 CM)	10" x 17" (25.4 CM x 43.2 CM)
CAPACITY IN BPH*	2,500 - 5,000 BPH (68 - 135 TPH)	4,100 - 10,000 BPH (111 - 270 TPH)	7,500 - 15,000 BPH (203 - 405 TPH)
CHAIN TRAVEL	150 - 325 FPM (45.7 - 99.1 MPM)	150 - 400 FPM (45.7 - 122.0 MPM)	150 - 350 FPM (45.7 - 106.9 MPM)
HEAD SHAFT RPM	58 - 125	43 - 114	28 - 114
HOUSING GAUGE, GALVANIZED - GAUGE OF BOTTOM - GAUGE OR PARTITION - GAUGE OF TOP	10 GA (3.4 MM) 12 GA (2.7 MM) 14 GA (1.9 MM)	10 GA (3.4 MM) 12 GA (2.7 MM) 14 GA (1.9 MM)	10 GA (3.4 MM) 12 GA (2.7 MM) 14 GA (1.9 MM)
PADDLE THICKNESS (UHMW)	3/8" (9.5 MM)	1/2" (12.7 MM)	5/8" (15.9 MM)
TAKE-UP LOCATION	Head	Head	Head
DISCHARGE	12" (30.48 CM) Round	14" (35.6 CM) Round	16" (40.6 CM) Square
CONVEYOR CHAIN	81 X	81 XHH	Double 81 XHH
CONVEYOR SPROCKET	12 Tooth	16 Tooth	25 Tooth
APPROX. CONVEYOR WEIGHT (LBS/FT) - EMPTY - LOADED	38.0 LBS/FT 55.0 LBS/FT	57.0 LBS/FT 85.0 LBS/FT	135.0 LBS/FT 185.0 LBS/FT
APPROX. CONVEYOR WEIGHT (KG/M) - EMPTY - LOADED	(57.0 KG/M) (82.0 KG/M)	(84.0 KG/M) (126.0 KG/M)	(201.0KG/M) (275.0 KG/M)

* Horizontal at 15% Moisture

Dual Hopper Chain Conveyor

- Impressive 10,000, 15,000 and 20,000 BPH capacities available
 - Unload both trailer hoppers at the same time
 - Matches the capacity of 12" Double Run Grain Pump, Low Profile Chain Conveyor, Mass-Ter Mover Chain Conveyor, 16" Loop and Model 150 Mass-Ter Mover
-



FEATURES

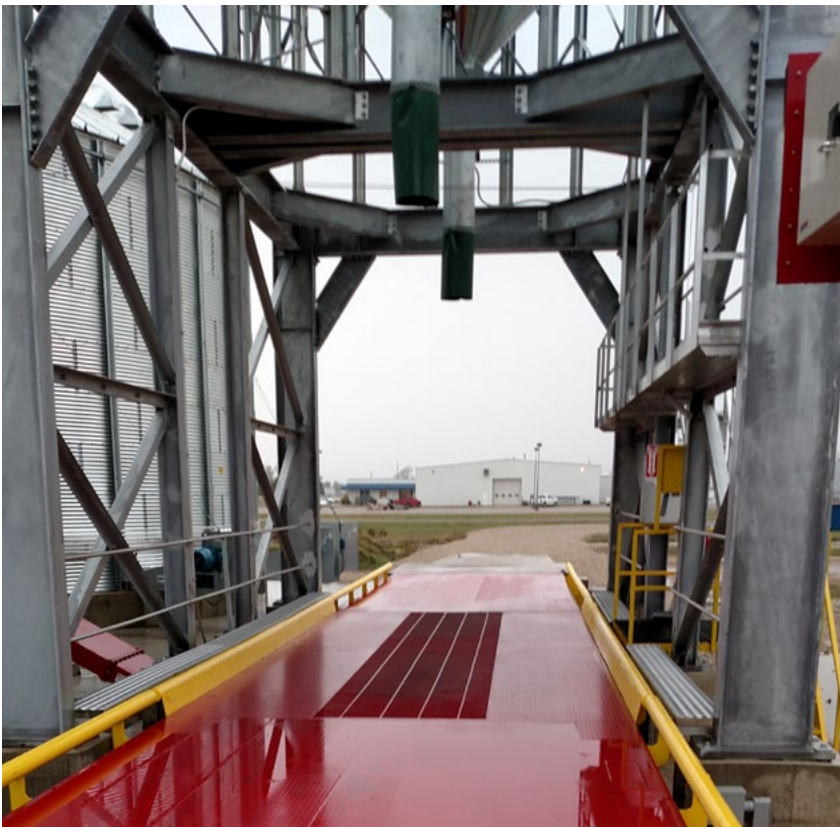
- Direct drive to prevent slipping, adjustment and breaking of belts
- Heavy duty construction
- 44" width grates
- Spring take-up for constant tension and less maintenance
- Trunk extensions are available
- Uses 15:1 main gearbox connected to 1:1 right angle gearboxes to drive two separate conveyors
- Use a variable frequency drive controller to adjust speed and capacity

Heavy Duty Construction

- 7 GA laser cut sheet steel
- $\frac{3}{8}$ " Laser cut flange connections
- AR wear plate for divider panel

Grates

- 44" width opening
- Drive-over grating meets OSHA Standards 1910.272







AGI is a global leader in supplying farm and commercial customers with the manufacturing, planning, and engineering of full equipment solutions for grain, seed, fertilizer, feed, and food. AGI's expertise enables the storage, blending, mixing, conveying, conditioning, processing, and protection of agricultural products and inputs worldwide.

Your safety is our highest priority.

Please read and understand the operator's manual and safety decals before using. Use and maintain products properly, and do not modify. Keep guards in place when operating and follow all product manuals and safety decals. For all AGI products, if guards, safety decals, or manuals are damaged or missing, contact your AGI sales or dealer representative for replacements. Images and information contained in this brochure are presented for general information.

Grain Pump, AGI and the furrows symbol are trademarks belonging to Ag Growth International Inc.

198 Commerce Drive, Winnipeg, Manitoba, Canada R3P 0Z6

P 785.632.2161 | aggrowth.com/hutchinson

     @aggrowthintl

AGGROWTH.COM